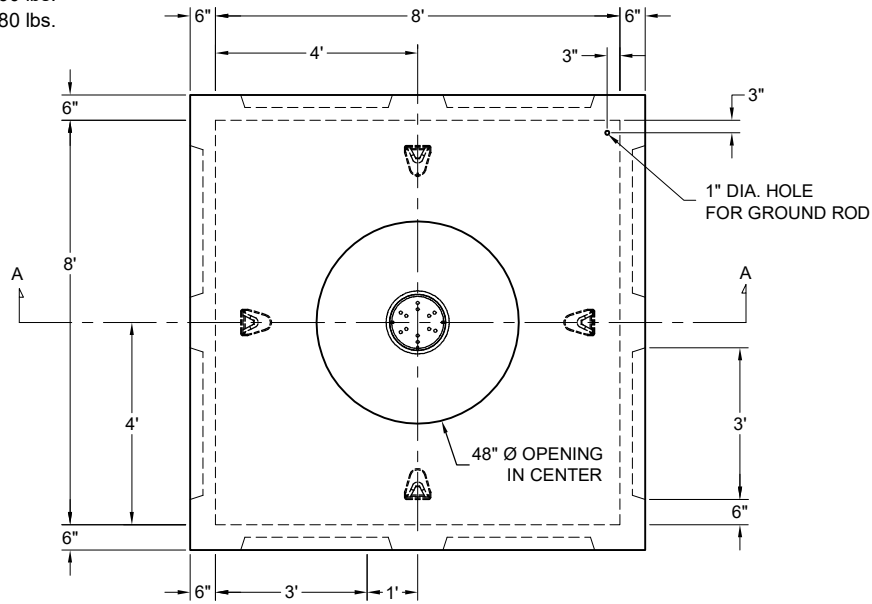


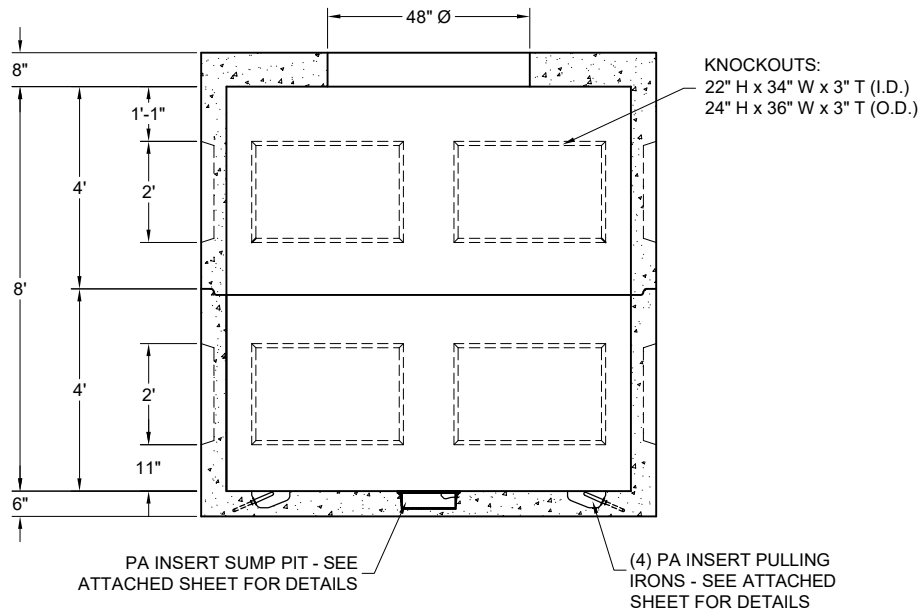
GENERAL NOTES:

1. Concrete Strength: 5,000 psi @ 28 days.
2. Joints to be sealed watertight with Conseal CS-102 Sealant.
3. No interior or exterior coatings.
4. Live Load at Surface: AASHTO HS-20.
5. Soil Cover: Top of top slab is 2.0' maximum grade.
6. Weights:

Top Section: 15,760 lbs.
 Base Section: 14,480 lbs.



PLAN VIEW



SECTION VIEW A-A



GILLESPIE
 PRECAST LLC
 1-800-638-6884
 www.gillespieprecast.com

8'-0" x 8'-0" x 8'-0"	
POWER MANHOLE	
DRAWN BY: AJL	DWG.: 1 of 1
SCALE: NTS	DATE: 9/20/22