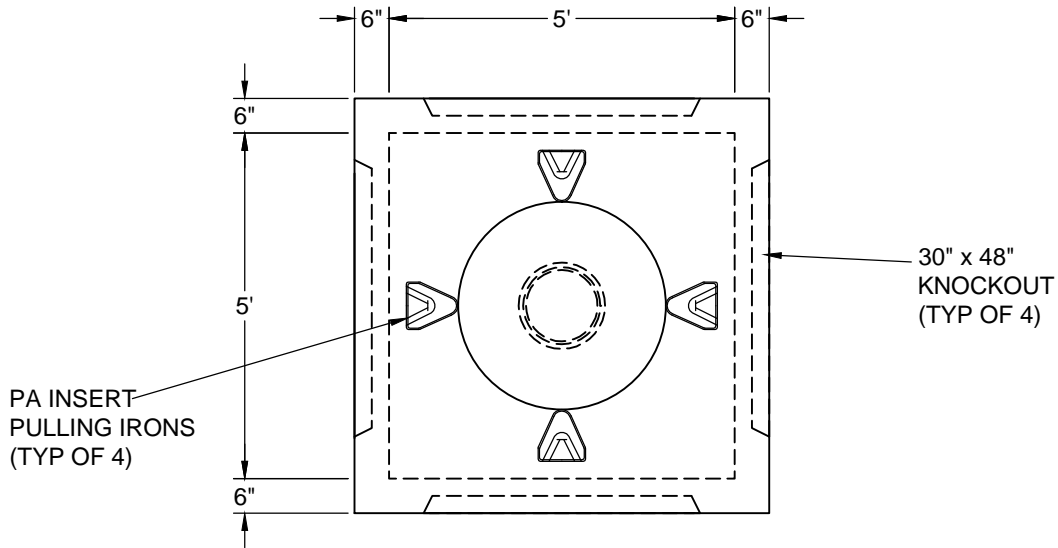
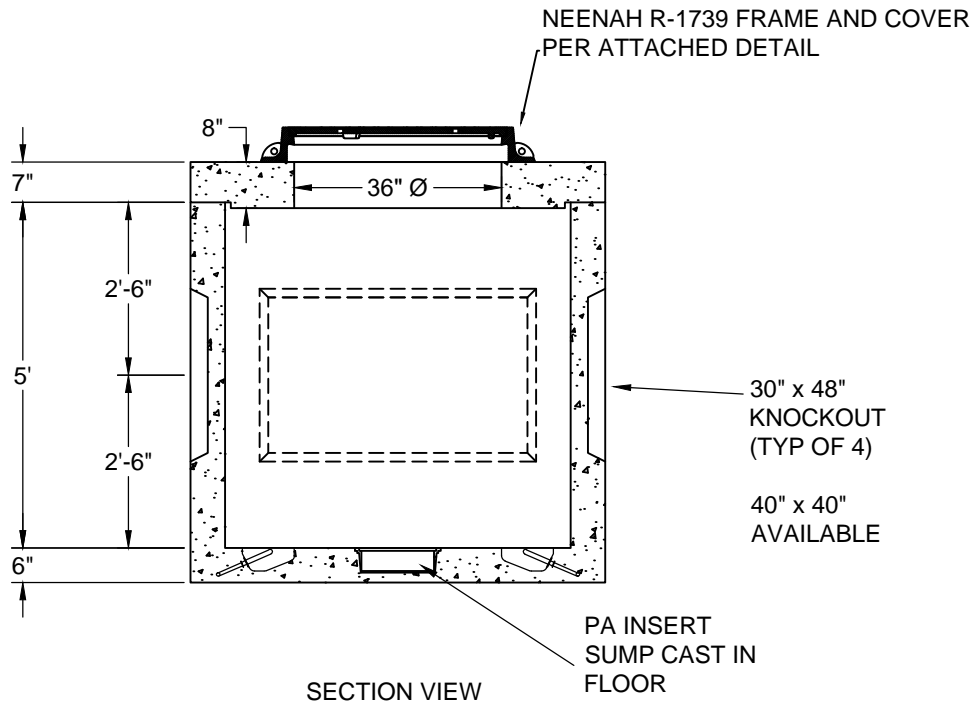


GENERAL NOTES:

1. Concrete: 5000 P.S.I. minimum strength @ 28 days.
2. Steel reinforcement - ASTM A-615 Grade 60.
3. Cover to steel - 1" minimum.
4. Vaults are designed to meet ASTM C857 and ACI 318 with AASHTO HS-20 Loading.
5. Construction joint - sealed with Conseal CS-102.
6. Weights -
 Top Slab : 2,680 lbs.
 Base Section: 9,400 lbs.



PLAN VIEW



SECTION VIEW



1-800-638-6884
 www.gillespieprecast.com

**ELECTRIC MANHOLE
 60" X 60" X 60"**

| | |
|------------------------|------------------|
| DRAWN BY: G.D. | DWG.: 1 of 1 |
| SCALE: Not to Scale | DATE: 2/22/18 |