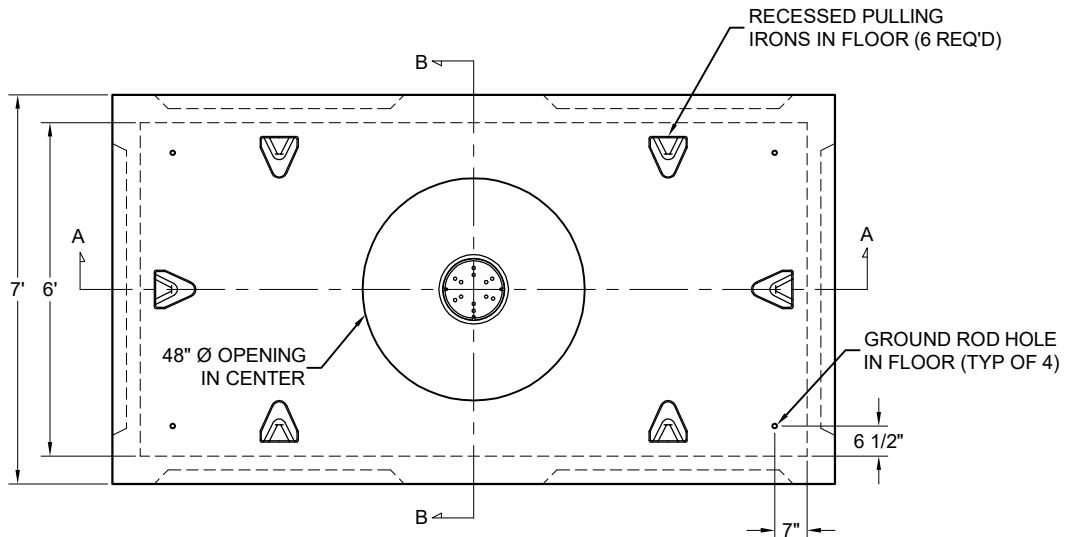


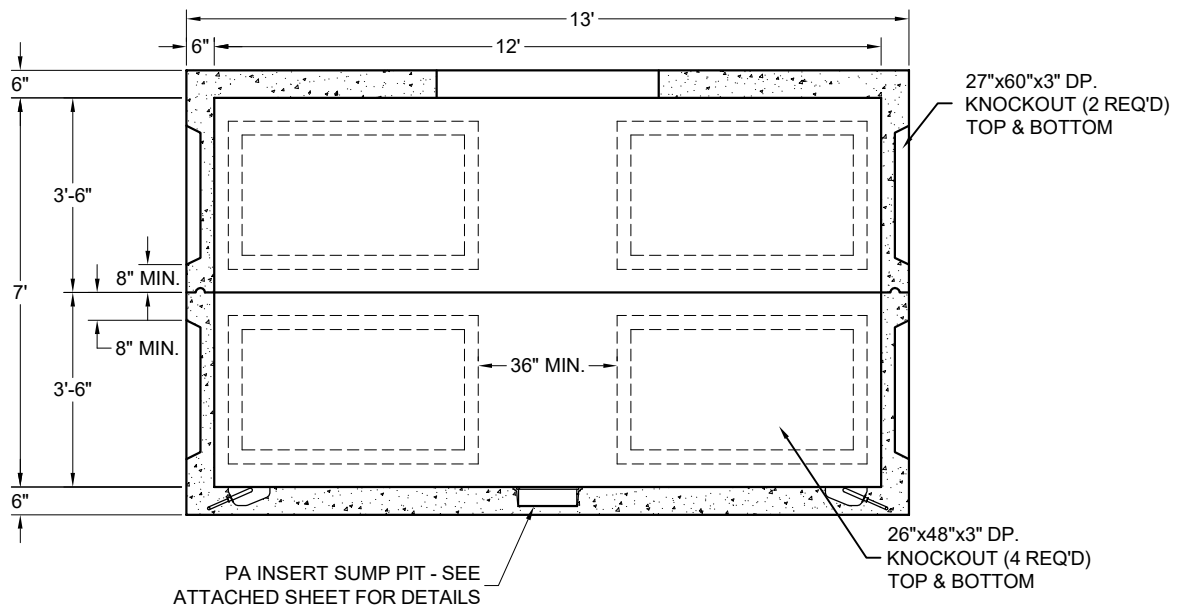
GENERAL NOTES:

1. Concrete: 6000 P.S.I. minimum strength @ 28 days.
2. Steel reinforcement - ASTM A-615 Grade 60.
3. Vaults are designed to meet ASTM C857 and ACI 318 with AASHTO HS-20 Loading.
4. Vaults are designed for 0"-60" of cover.
5. Construction joint - sealed with Conseal CS-102.
6. Weights -

Top Section: 13,760 lbs.
 Base Section: 14,240 lbs.



PLAN VIEW



SECTION VIEW A-A



1-800-638-6884
 www.gillespieprecast.com

**6-0" X 12-0" X 7-0"
 FIBER MANHOLE**

DRAWN BY: P.G.

DWG.: 1 of 1

SCALE: NTS

DATE: 9/20/22