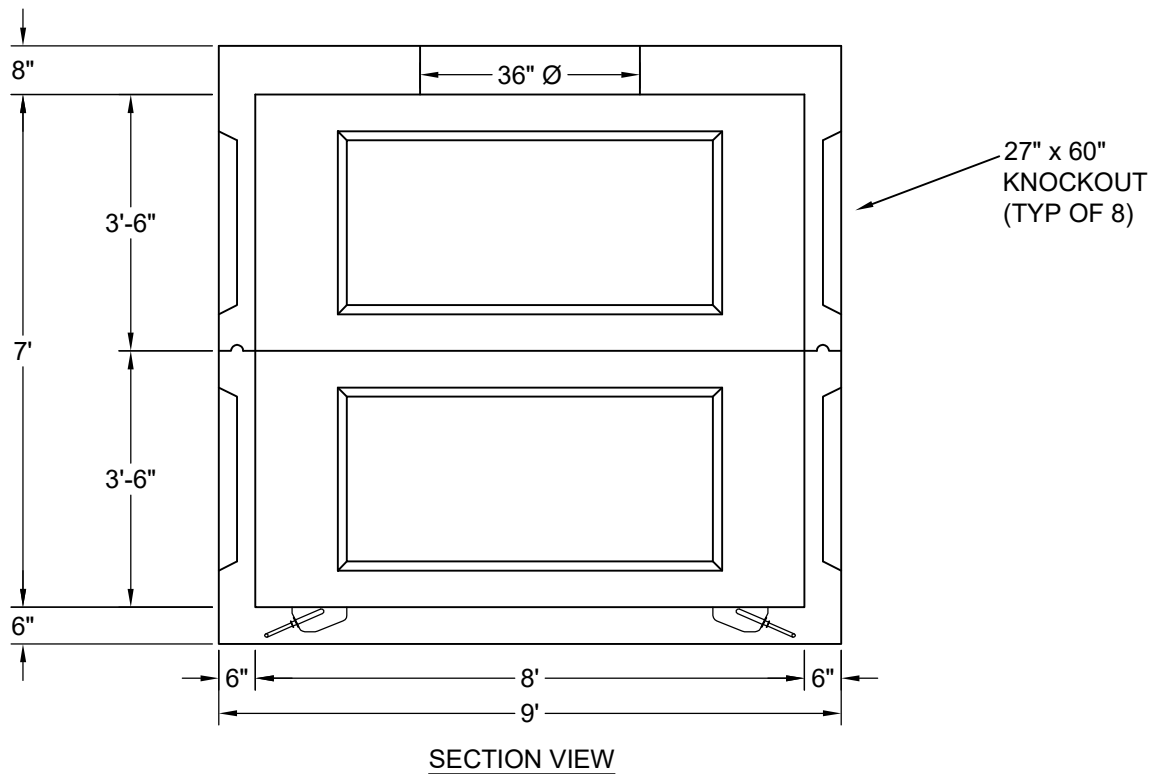
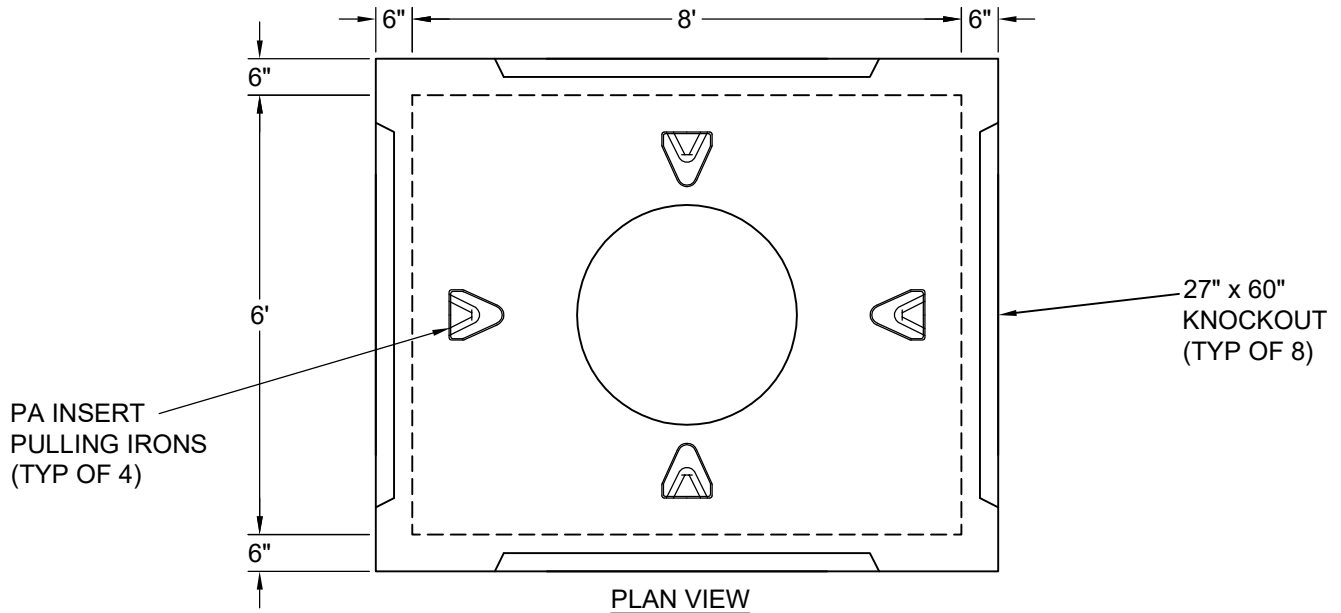


**GENERAL NOTES:**

1. Concrete: 5000 P.S.I. minimum strength @ 28 days.
2. Steel reinforcement - ASTM A-615 Grade 60.
3. Cover to steel - 1" minimum.
4. Vaults are designed to meet ASTM C857 and ACI 318 with AASHTO HS-20 Loading.
5. Construction joint - sealed with Conseal CS-102.
6. Weights -
  - Top Slab: 14,031 lbs.
  - Base Section: 12,444 lbs.



1-800-638-6884  
www.gillespieprecast.com

**ELECTRIC MANHOLE  
72" X 96" X 84" CENTER SEAM**

DRAWN BY: G.D.

DWG.: 1 of 1

SCALE: Not to Scale

DATE: 6/16/14