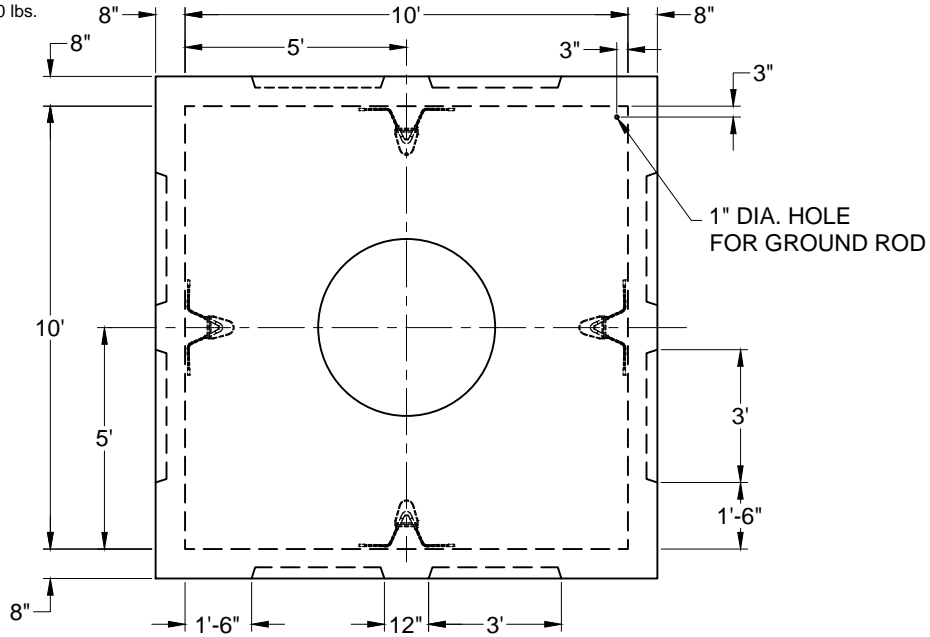


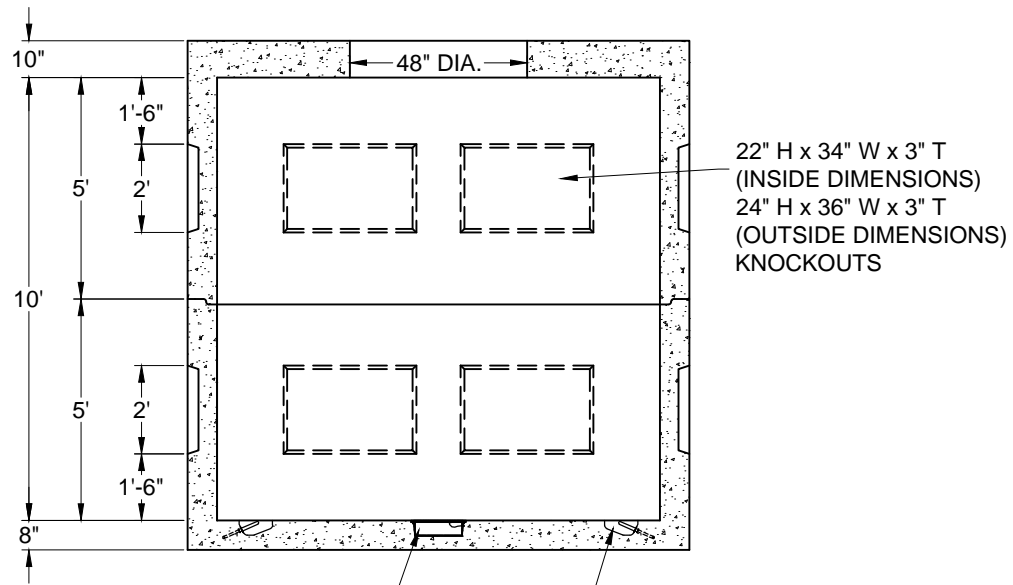
GENERAL NOTES:

1. Concrete Strength: 5,000 psi @ 28 days.
2. Joints to be sealed watertight with Conseal CS-102 Sealant.
3. No interior or exterior coatings.
4. Live Load at Surface: AASHTO HS-20.
5. Soil Cover: Top of top slab is 2.0' maximum grade.
6. Weights:

Top Section: 33,840 lbs.
 Base Section: 32,200 lbs.



PLAN VIEW



PA INSERT SUMP PIT - SEE ATTACHED SHEET FOR DETAILS

(4) PA INSERT PULLING IRONS - SEE ATTACHED SHEET FOR DETAILS

SECTION VIEW



1-800-638-6884
 www.gillespieprecast.com

10'-0" x 10'-0" x 10'-0"
 Electric / Telecom Manhole

DRAWN BY: JHP

DWG.: 1 of 1

SCALE: 1/4" = 1'-0"

DATE: 9/9/22